

Euro-Power Wirewound Series



HIGH
POWER

Vitreous Enamel Power

Select Euro series fixed resistors for applications requiring wattage ratings from 72 to 700 watts. Suitable for rugged applications, Euro-Power resistors are spot welded producing stronger mechanical and electrical connections. The vitreous enamel coating was specifically developed and provides protection against moisture and mechanical damage. Euro-Power resistors are equipped with lug terminals suitable for soldering or sturdy bolt connection. Mounting brackets not included with resistors.

FEATURES

- Terminals suitable for soldering or bolt connection
- High wattage applications
- Rugged lead free vitreous enamel coating
- Flame resistant coating
- All-welded construction
- "Live" mounting option

SERIES SPECIFICATIONS

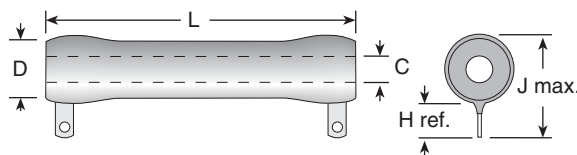
Series	Wattage	Ohms	Voltage	Construction	Non-Inductive versions available; Other sizes available; Also available in low cost Centohm or Silicone coating; Consult Ohmite.
EVFT119	72	0.4Ω-250K	1400	Round wire	
EVFT170	160	0.5Ω-100K	2100	Round wire	
EVFT252	280	0.2Ω-125K	3300	Round wire	
EVFT375	700	0.2Ω-200K	5000	Round wire	
EVRT170	200	0.10-18Ω		Ribbon wire	
EVRT252	350	0.22-33Ω		Ribbon wire	
EVRT375	1000	0.33-56Ω		Ribbon wire	

CHARACTERISTICS

Coating	Lead free vitreous enamel. Very large models (700 watts and up) are supplied in Silicone Ceramic. Also available in low-cost Centohm coating; Consult factory.
Core	Tubular ceramic.
Terminals	solder coated radial lug with RoHS composition solder
Derating	Linearly from 100% @ +25°C to 0% @ +350°C.
Tolerance	±5% 1Ω and over (J); ±10% under 1Ω (K)
Power rating	Based on 25°C free air rating.
Overload	10 times rated wattage for 5 seconds.
Temperature coefficient	1 to 20Ω: ±400 ppm/°C; Above 20Ω: ±260 ppm/°C; Ribbon wire: 400ppm/°C
Dielectric withstanding voltage	1000 VAC: 72 to 160 watt rating. 3000 VAC: 280 to 700 watt rating (Measured from terminal to mounting bracket)
To calculate max. amps	use the formula $\sqrt{P/R}$

SOLDER TAB DIMENSIONS

(mm)



Wattage		L	D	C	H ref.	J max.
Round wire	Ribbon wire					
72		119	20.3	9.2	14.3	39.4
160	200	170	25.5	12.4	15.9	45.9
280	350	252	30.6	17.5	19.1	54.1
700	1000	375	51.0	27.9	19.1	74.1

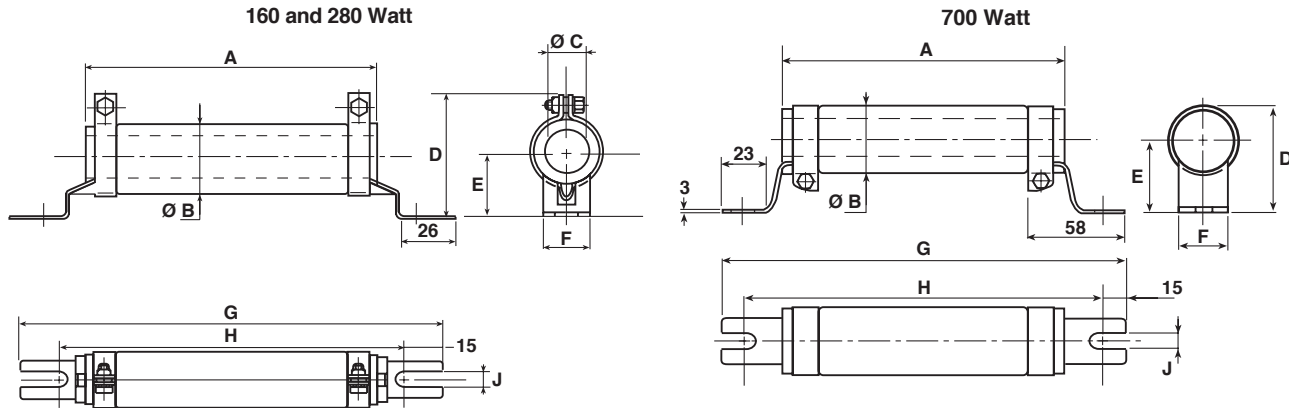
Euro-Power Wirewound Series

Vitreous Enamel Power

HIGH
POWER

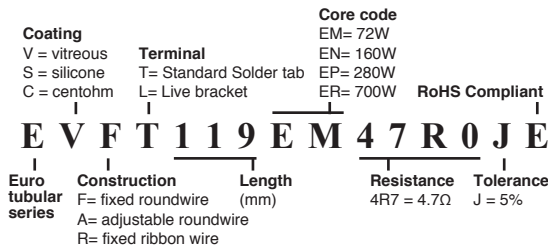
LUG DIMENSIONS

(mm)



Core code	Watts		A ±2	Ø B max.	Ø C min.	D	E	F ±0.5	G -4/+0	H -4/+0	J ±0.5	K	L +0.5/+0
	Round wire	Ribbon wire											
EN	160	200	168	28	12	50 ±1.5	27 ±1	24	229	199	6.5	28.5 ±1	9
EP	280	350	250	33	17	60 ±1.5	30 ±1	25	317	287	9	31 ±1	13
ER	700	1000	373	53	27.1	80 max.	51 ±1.5	30	432	405	9	51 ±1.5	18

ORDERING INFORMATION



Standard Part numbers for Fixed Roundwire Euro series

EVFT072J10RE	EVFT160J10RE	EVFT280J10RE	ESFT700J10RE
EVFT072J100E	EVFT160J100E	EVFT280J100E	ESFT700J100E
EVFT072J1K0E	EVFT160J1K0E	EVFT280J1K0E	ESFT700J1K0E
EVFT072J10KE	EVFT160J10KE	EVFT280J10KE	ESFT700J10KE
EVFT072J4R7E	EVFT160J4R7E	EVFT280J4R7E	ESFT700J4R7E
EVFT072J47RE	EVFT160J47RE	EVFT280J47RE	ESFT700J47RE
EVFT072J470E	EVFT160J470E	EVFT280J470E	ESFT700J470E
EVFT072J4K7E	EVFT160J4K7E	EVFT280J4K7E	ESFT700J4K7E

Standard Part numbers for Fixed Ribbon wire Euro series

EVRT252EPR22KE	EVRT170EN2R2JE	EVRT375ER2R2JE
EVRT252EPR22KE	EVRT170ENR10KE	EVRT375ER4R7JE
EVRT252EP1R0JE	EVRT170EN4R7JE	EVRT375ER1R0JE
EVRT252EP2R2JE	EVRT170EN1R0JE	EVRT375ER10RJE
EVRT252EP10RJE	EVRT170EN10RJE	EVRT375ER22RJE
EVRT252EP22RJE	EVRT170ENR47KE	EVRT375ERR47KE
EVRT252EP4R7JE	EVRT170ENR22KE	EVRT375ER47RJE